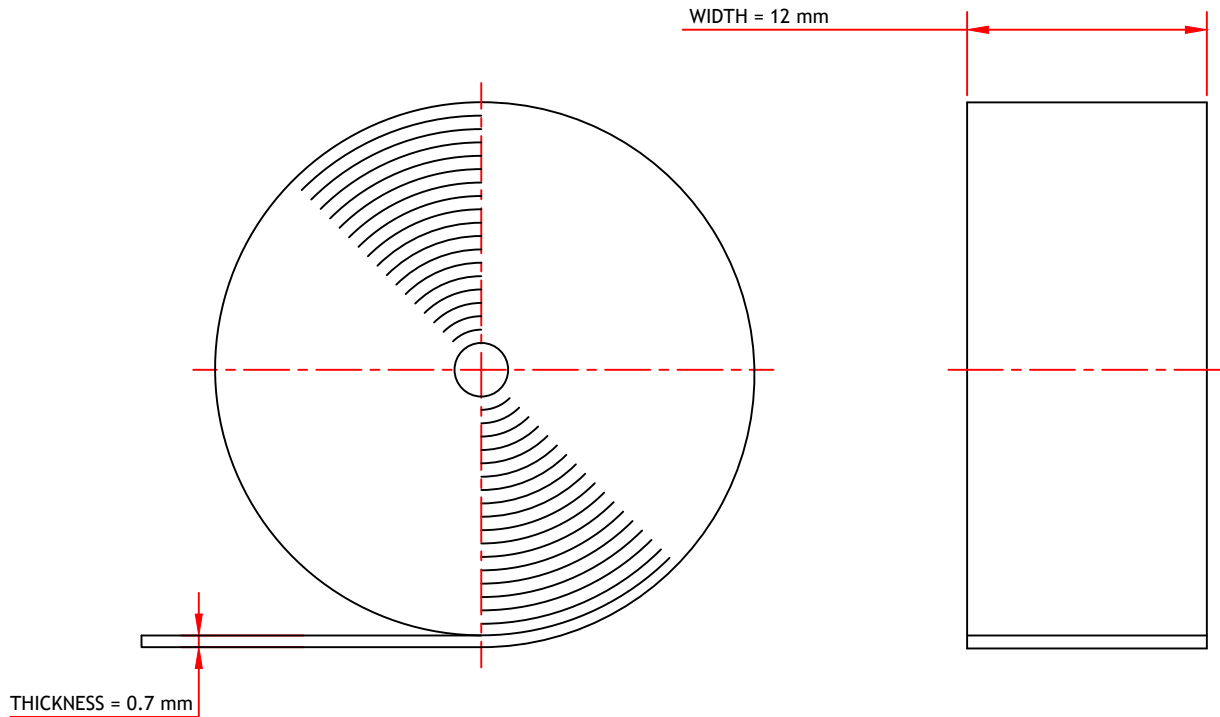


REVISIONS			
REV #	DESCRIPTION	APPV.	REV DATE



**STAINLESS STEEL STRAP 50 MTR / COIL**

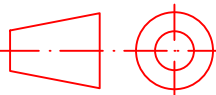
TOLERANCE: ± 5% FOR ALL DIMENSIONS

NOTE :

- 1) ALL DIMENSIONS ARE IN mm
- 2) MATERIAL : AS SPECIFIED
- 3) FINISH : NATURAL & DEGREASED
- 4) THIS DRAWING IS THE SUBSIDIARY DRAWING OF 949#1-2004



AXIS ELECTRICAL COMPONENTS (I) P. LTD.  
MUMBAI - 400067. INDIA.  
TEL : 91-22-67756000  
e-mail:marketing@axis-india.com



MATERIAL :

REF NOTE

DRAWN: NB

CHECKED: AG

APPROVED: SD

ISSUE DT: 13/09/2005

SCALE: DO NOT SCALE.

DRG No: 949#1-2004

C

TITLE :

**STAINLESS STEEL STRAP**