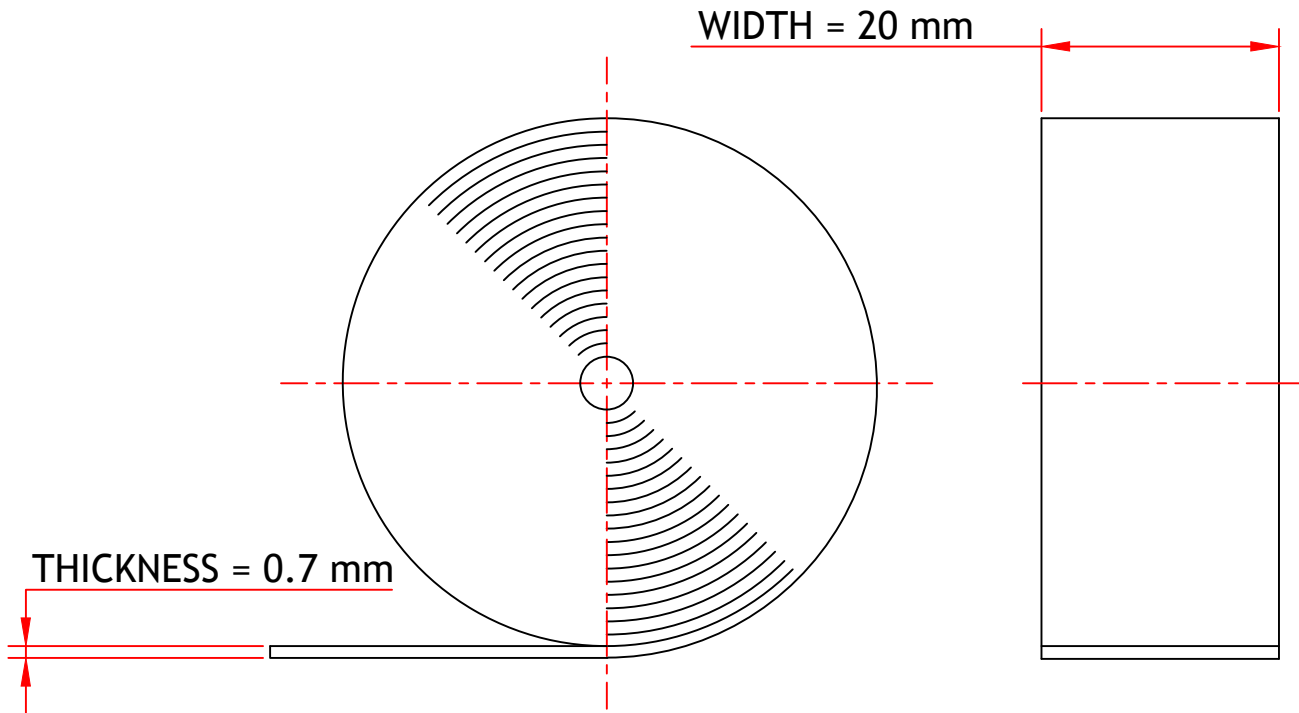


REVISIONS			
REV #	DESCRIPTION	APPV.	REV DATE



STAINLESS STEEL STRAP IN COIL FORM (50 MTRS)

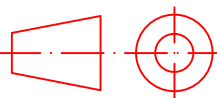
TOLERANCE:  $\pm 5\%$  FOR ALL DIMENSIONS

NOTE :

- 1) ALL DIMENSIONS ARE IN mm
- 2) MATERIAL : AS SPECIFIED
- 3) FINISH : NATURAL & DEGREASED
- 4) SUPPLIED IN COIL FORM 50 MTRS



AXIS ELECTRICAL COMPONENTS (I) P. LTD.  
MUMBAI - 400067. INDIA.  
TEL : 91-22-67756000  
e-mail:marketing@axis-india.com



MATERIAL :

REF NOTE

DRAWN: MJ

CHECKED: NB

APPROVED: NT

ISSUE DT: 19/03/2020

SCALE: DO NOT SCALE.

DRG No: 949#14-2004

C

TITLE :

**STAINLESS STEEL STRAP**  
**20 x 0.7 mm**